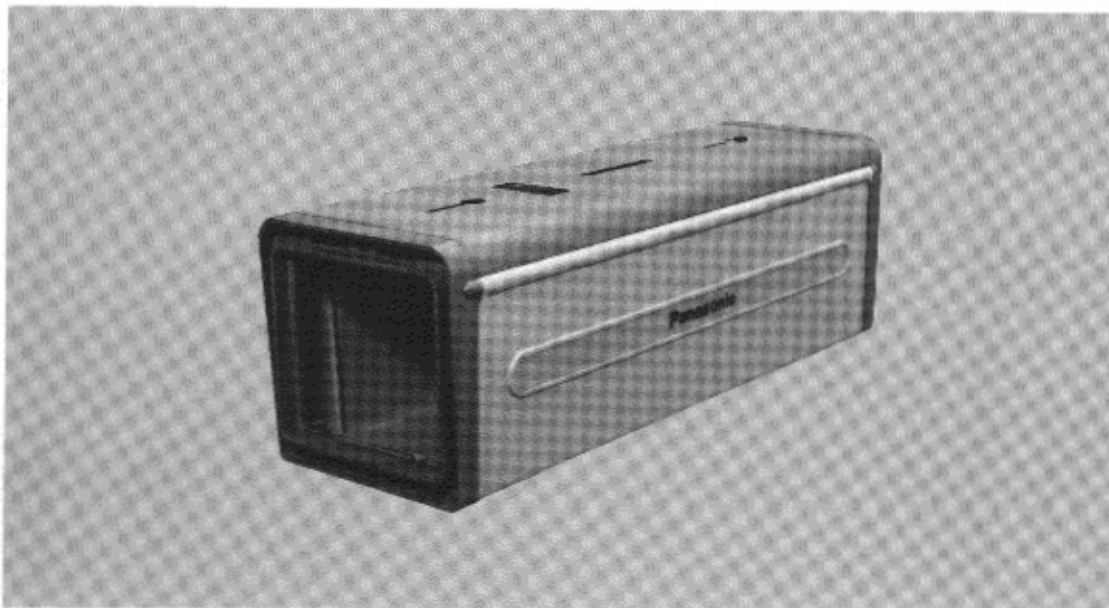


Operating Instructions

Camera Housing
WV-7120D



Panasonic[®]

Before attempting to connect or operate this product, please read these instructions completely.

INSTALLATION PRECAUTIONS

- Refer to the following tables. Do not use at another place, with another camera, mounting bracket, panning mechanism and lens mentioned in the tables.

APPLICABLE CAMERAS AND LENSES

The recommended combination of the Panasonic camera and lens to WV-7120D is shown in the following table.

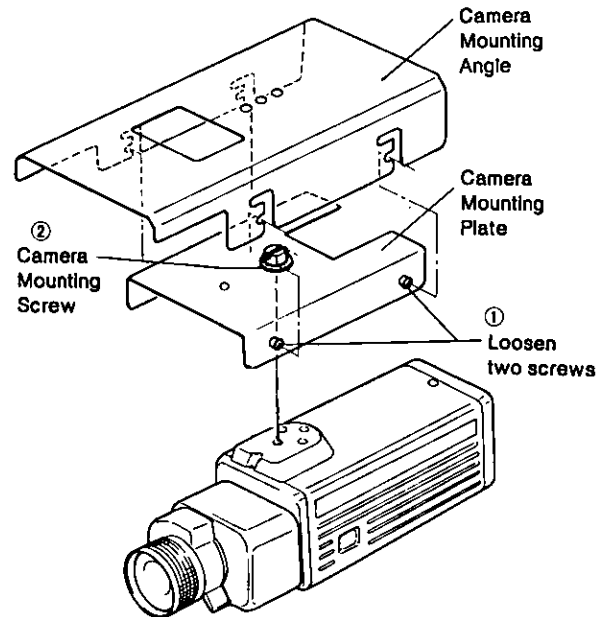
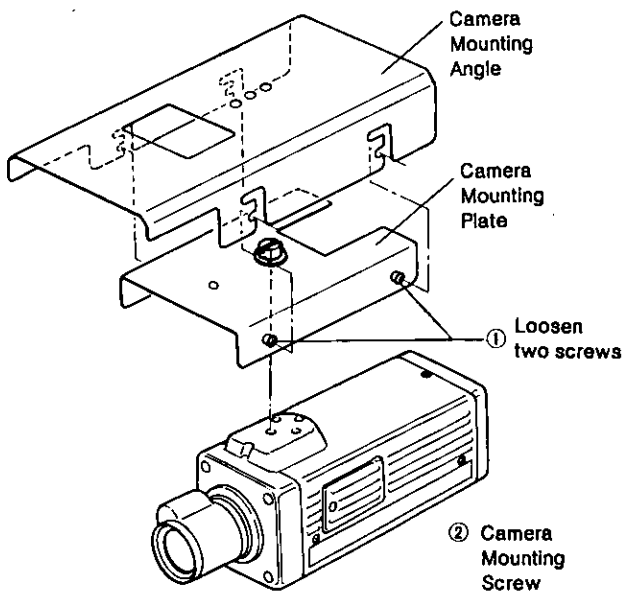
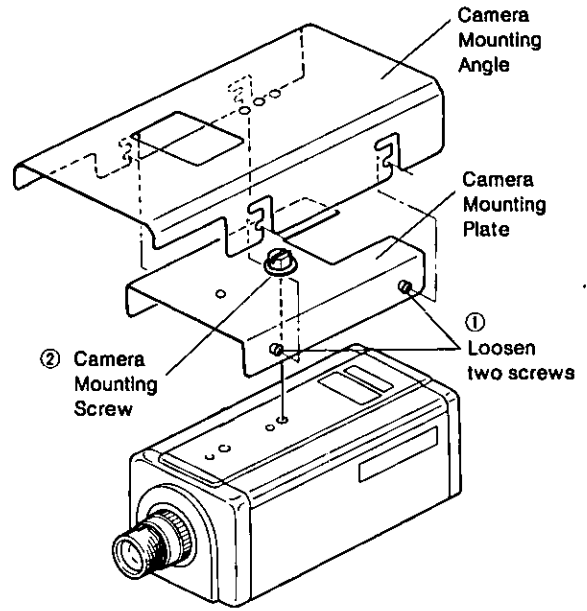
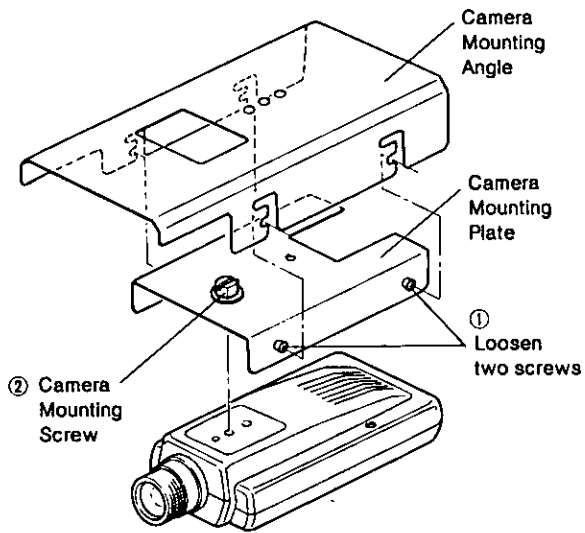
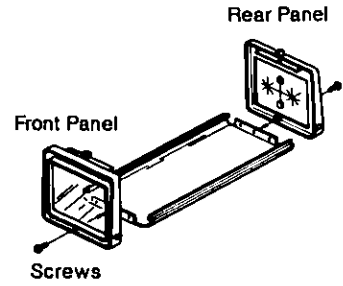
| | |
|--------------------|--|
| Mounting Apparatus | WV-7010A, WV-7015, WV-831A (Mounting Bracket) |
| | or WV-7220D (Panning Unit) WV-7225 (Pan/Tilt Unit) |

| Camera | WV-7120D | | |
|------------|----------|-----|----------|
| | for 1/2" | | for 2/3" |
| | fixed | x 6 | fixed |
| WV-140 | ● | | ● |
| WV-144 | ● | | ● |
| WV-1410 | | | ● |
| WV-1414 | | | ● |
| WV-1460 | | | ● |
| WV-1464 | | | ● |
| WV-1500 | | | ● |
| WV-1504 | | | ● |
| WV-1550 | | | ● |
| WV-1554 | | | ● |
| WV-CD20/24 | | | ○ |
| WV-CD132 | | | ○ |
| WV-BD400 | | | ○ |
| WV-BD404 | | | ○ |
| WV-BL200 | ○ | ● | ○ |
| WV-BL204 | ○ | ● | ○ |
| WV-CL300 | ○ | ● | ○ |
| WV-CL304 | ○ | ● | ○ |
| WV-BL600 | ● | | ● |
| WV-BL604 | ● | | ● |
| WV-CL700 | ● | | ● |
| WV-CL704 | ● | | ● |
| WV-BL90 | | ○ | |
| WV-CL110 | | ○ | |

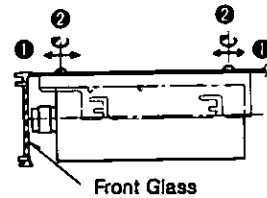
- Recommended
 - Possible
- Clean this unit with a dry cloth. If it is difficult to remove dust, soak the cloth with a mild detergent solution and wipe gently.

INSTALLATION

1. Attach the front and rear panel the base with two screws provided.
2. Take off the camera mounting plate from the base and mount the camera on it.
 - (1) Loosen two screws on camera mounting plate and remove camera mounting angle.
 - (2) Mount the camera using with camera mounting screw.

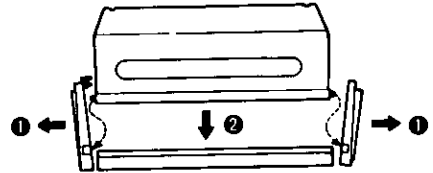


3. Mount the camera to the base.
 - (1) Fix the camera mounting angle to the base. (supplied)
 - (2) Insert camera using with camera mounting plate into guide of camera mounting angle.
 - (3) Adjust the camera position. Set the camera lens as near the front glass as possible.
 - (4) Fix the camera mounting plate.

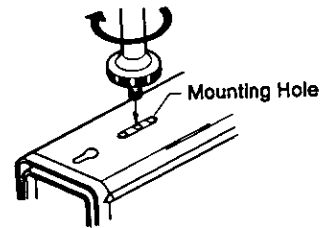


Note: Make sure that WV-140 Series camera with camera mounting plate should be set at lower guide and WV-1410/WV-1500 Series camera with camera mounting plate should be set upper guide.

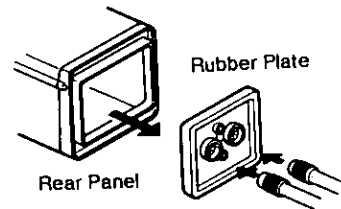
4. Assemble the covers.
 - (1) Spread out the front and rear panel.
 - (2) Insert the cover.



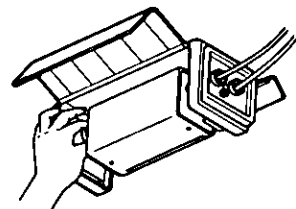
5. Mount the camera housing to the mounting bracket or panning mechanism.



6. Wiring:
 - (1) Take off the rubber plate from the rear panel.
 - (2) Pass the connectors and power cables through the slotted holes of the rubber plate.
 - (3) Complete the wiring.
 - (4) Replace the rubber plate.

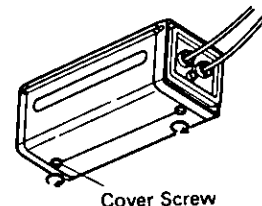


7. Adjust the camera direction.



8. Set the focus ring at the proper distance.

9. Close the cover and tighten the attached cover.



Cautions: When the camera LED reflectors on the glass and it's light comes in the screen, stick the power Indicator Masking Label (accessory) on the LED.

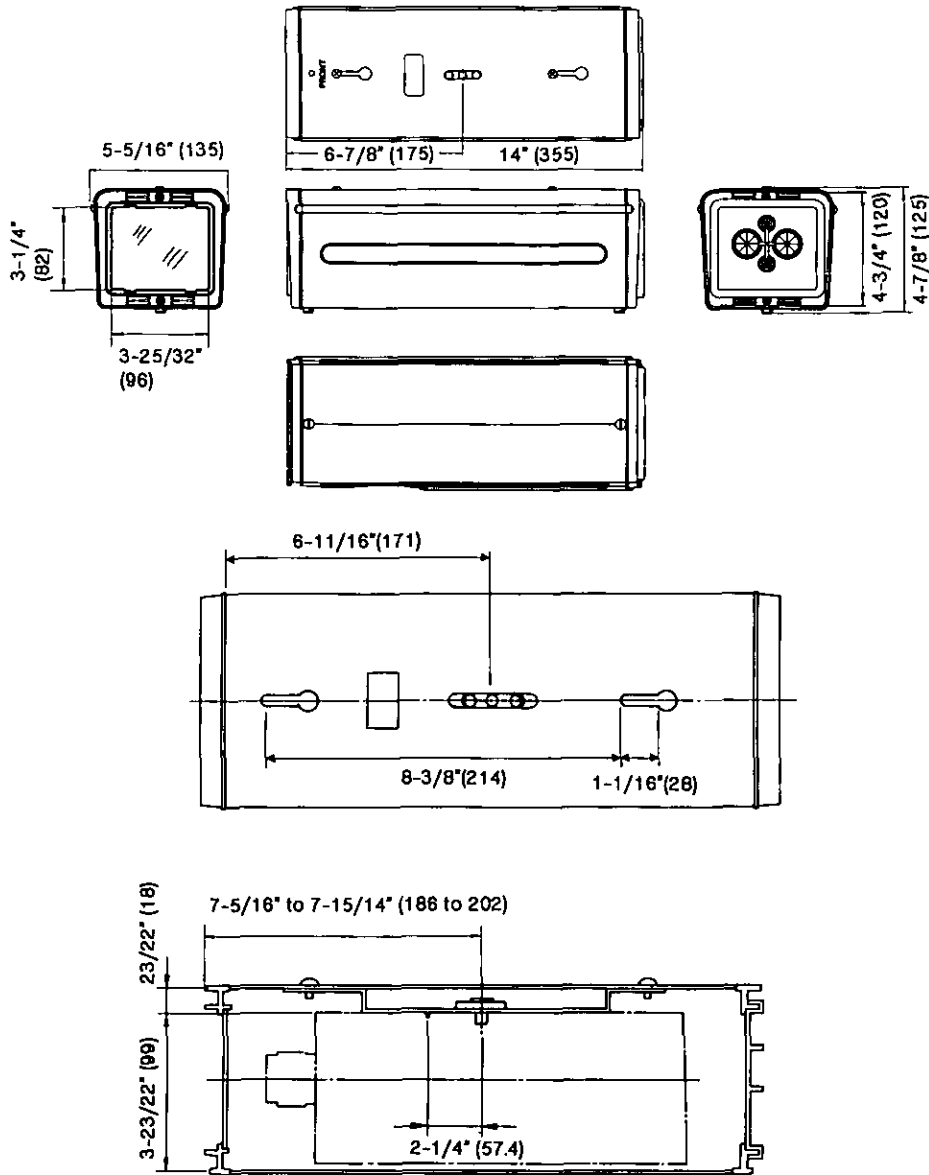
SPECIFICATIONS

| | |
|--------------------------------|--|
| Products Housed: | CCTV camera with fixed focal lens |
| Mounting: | From top |
| Ambient Operating Temperature: | Depending on the combination of camera and lens. |
| Ambient Operating Humidity: | Less than 90% |
| Dimensions: | 5-5/16"(W) x 4-1/8"(H) x 14"(D) 135(W) x 125(H) x 355(D) mm |
| Weight: | Approx. 3 lbs., 1.4 kg |

STANDARD ACCESSORIES (Supplied)

| | |
|---|---|
| Camera Mounting Screw 1 pc. (with insulation rubber) | Camera Mounting Angle Fixing Screws 2 pcs. (XSB4 + 6FXK) |
| Panel Fixing Screws 2 pcs. (XSB3 + 8FXK) | Power Indicator Masking Label 1 pc. |

OUTLINE DRAWING



Panasonic

Communications & Systems Company

Panasonic Communications & Systems Company
Division of Matsushita Electric Corporation of America

CLOSED CIRCUIT VIDEO EQUIPMENT DIVISION

HEADQUARTERS:

50 Meadowland Parkway, Secaucus, New Jersey 07094

EASTERN ZONE:

50 Meadowland Parkway, Secaucus, NJ 07094 (201) 348-7620

CENTRAL ZONE:

425 E. Algonquin Road, Arlington Hts. IL 60005 (708) 981-4826

SOUTHERN ZONE:

Dallas Region: 4500 Amon Carter Blvd., Ft Worth, TX 76155 (817) 685-1117

Atlanta Region: 1854 Shackelford Ct. Suite 115, Norcross, GA 30093 (404) 925-6841

WESTERN ZONE:

Seattle Region: 1200 Westlake Ave. N., Suite 508, Seattle, WA 98109 (206) 285-8883

Los Angeles Region: 6550 Katella Ave., Cypress, CA 90630 (714) 373-7275

MATSUSHITA ELECTRIC OF CANADA LIMITED

5770 Ambler Drive, Mississauga, Ontario, Canada L4W 2T3 (416) 624-5010

PANASONIC SALES COMPANY

DIVISION OF MATSUSHITA ELECTRIC OF PUERTO RICO, INC.

San Gabriel Industrial Park, 65th Infantry, Ave. KM. 9.5 Carolina, Puerto Rico 00630 (809) 750-4300